

RS200 Room Sensor



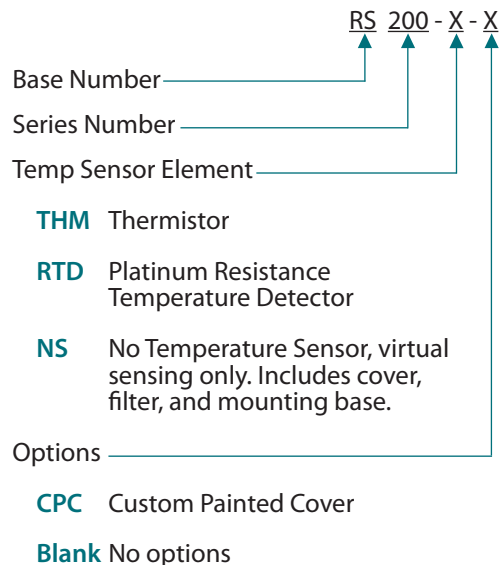
RS200 Room Sensor

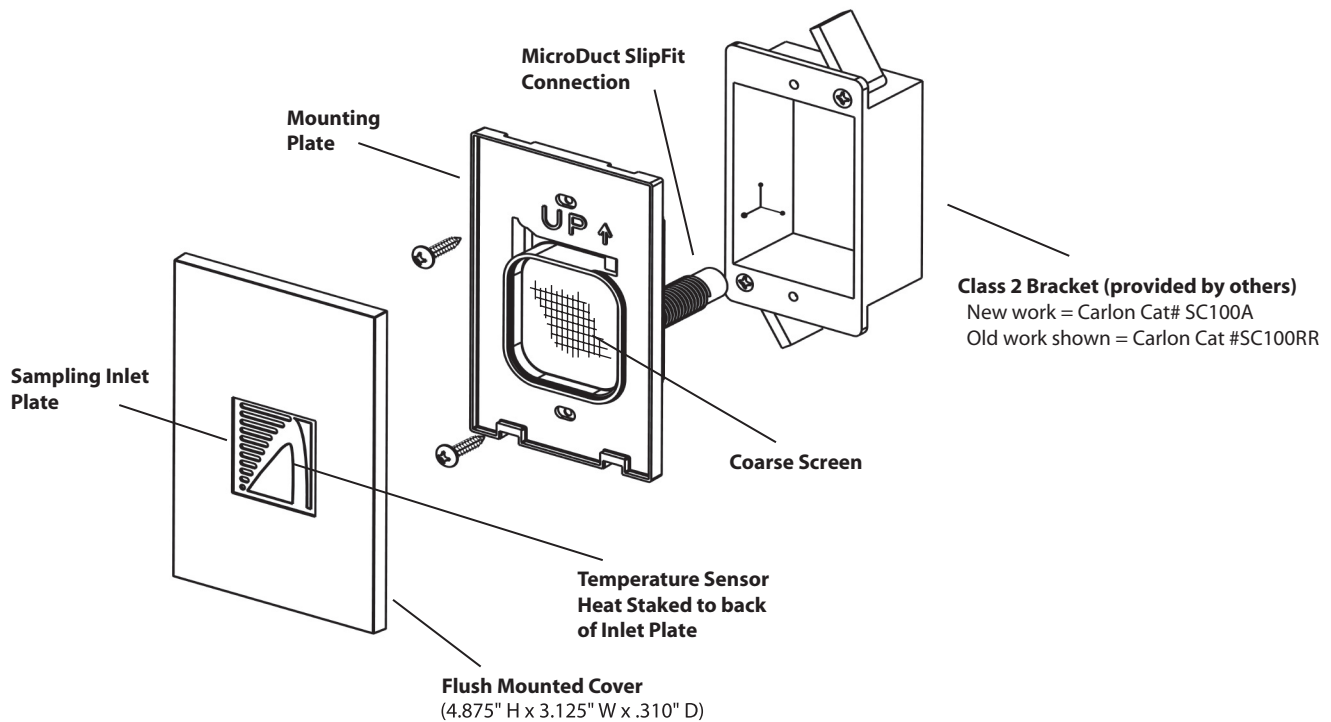
The Room Sensor (RS) interfaces to the Air Data Router (ADR) for discrete room level sensing of temperature, and for drawing air samples back to the SST Series Sensor Suite through the patented MicroDuct® communications path. Depending on the configuration of the Sensor Suite, many additional environmental parameters can be monitored “virtually” such as carbon dioxide (CO₂), carbon monoxide (CO), dewpoint temperature, relative humidity (RH), small particles, and total volatile organic compounds (TVOCs). The sensor is designed with an architecturally pleasing flush mounted cover that can be optionally painted to match the interior room finishes.

FEATURES

- Flush mounted cover with custom painting options
- In-line Stainless Steel Coarse filter
- Thermistor or RTD sensing elements
- Provides MicroDuct® termination point, enabling virtual sensing

Ordering Guide





Specifications

Electrical

Power

Thermistor and RTD model: ± 12 Vdc from ADR500 Air Data Router

NS (No Sensor) model: no power required

Power Consumption

Thermistor and RTD model: 0.25 VA

NS (No Sensor) model: 0.0 VA

Sensors

Temperature

Thermistor: range 30°–120° F (-1°–49°C)

Accuracy: $\pm .75^\circ\text{F}$ ($\pm .42^\circ\text{C}$)

Platinum RTD: range -30°–130°F (-34°–54°C)

Accuracy: $\pm 0.30^\circ\text{F}$ ($\pm .17^\circ\text{C}$)

Virtual: Refer to the Sensor Suite Sensor data sheets

Connections

Wiring: 4-position screw-down connector

MicroDuct: Slip fit

Materials

Cover: UL listed molded polycarbonate

Sampling Plate: clear anodized aluminum

Screen: stainless steel

Regulatory Compliance

 Part 15 Class A
