

IMS100/IMS200

Information Management Server



IMS100/IMS200 Information Management Server

The IMS Series Information Management Server is a supervisory controller that sequences the Air Data Routers (ADR) to route the air packets from individual test areas to the Sensor Suite (SST) where it is sampled and measurements recorded. Data from the ADR and SST is uploaded to the IMS. Using a BACnet® interface, the IMS also serves as the integration hub for data from the Building Automation System (BAS) and any independent ventilation control system. This data may be incorporated in the desired room-level control strategy, or collected, merged with ADR and SST data, and uploaded to the Aircurity Knowledge Center™ for use by a comprehensive set of analytic tools developed by Aircurity.

FEATURES

- Compact size, small form factor
- Intel® based processor
- Windows® XP operating system
- Includes 350 VA uninterruptible power supply (UPS)

Ordering Guide

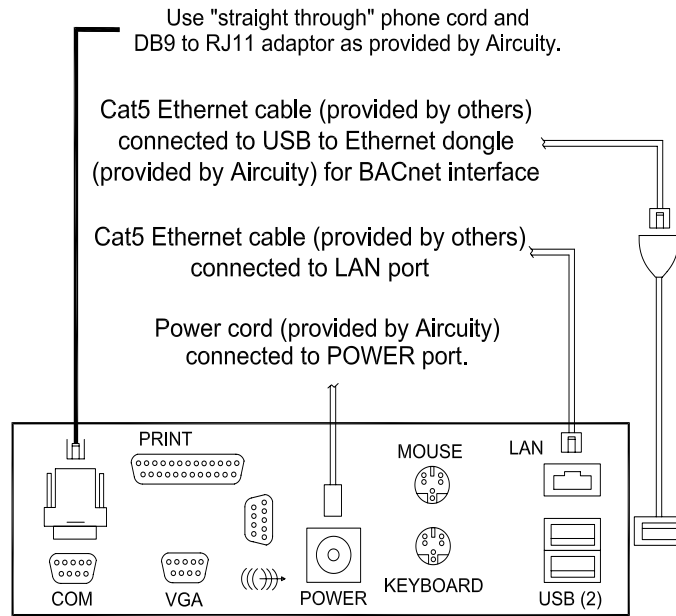
Base Number	IMS	X	X
Series Number	100	200	
Options	BAC	Blank	
	120 Vac, 60 Hz	230 Vac, 50/60 Hz	
	BACnet Interface		
	No options		

Data Center Connection

Optional Virtual Private Network (VPN) Connection: In an effort to provide additional security measures, Aircurity can support Knowledge Center connectivity utilizing a secure (IPsec), encrypted (3DES) site-to-site virtual private network connection. Additional hardware may be required.

Commissioning Software

SensorWorks™ is OptiNet's user interface tool for adding, deleting, and editing test area parameters and configuration information. The tool is used for commissioning any new installation and for modifications and changes to existing systems. The software is loaded on a laptop for access at the server level.



End View of IMS

Specifications

Processor Intel Celeron Processor: 1.2 GHz

Memory 256 MB SDRAM

Internal Storage 2.5" Hard Disk Drive 40 GB

Video Onboard (DB15) SVGA

I/O Ports

2 - Serial RS-232

1 - Parallel

1 - PS/2 for Keyboard

1 - PS/2 for Mouse

3 - USB 1.1 Ports, 1 front, 2 rear

1 - Firewire, IEEE-1394

Ethernet Port Intel 10/100, RJ-45 Connector

Operating Temperature

Operating temperature: 10°C–35°C

Non-operating temperature: -40°C–70°C

Non-operating humidity: 20%–90% (non-condensing)

Operating System Windows XP

Dimensions 9.84" x 5.75" x 1.65"

(250mm x 146mm x 42mm) L x W x H

Dimensions (European Union) 15.50" x 7.31" x 2.55"

(394mm x 186mm x 65mm) L x W x H

Chassis Description

Ultra light extruded aluminum

Power on, reset button on and HDD LEDs

Cooling Fans: Internal CPU only

Power Input

Uninterruptible Power Supply (UPS)

For 100 Series: 120 Vac, 60 Hz

For 200 Series: 230 Vac, 50/60 Hz

Network Communications

Interface: OptiNet RS-485 through RS232 convertor

Speed: 19.2K baud

Media: OptiNet Structured Cable with composite 22ga twisted shielded pair with drain wire

Facility Interface: Ethernet 10/100

Regulatory Compliance

FC Part 15 Class A
CE