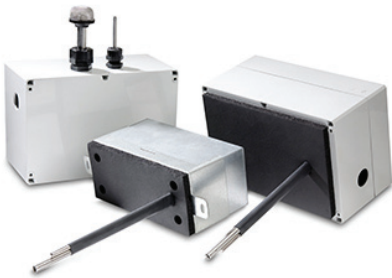


# DPB200

Duct Probe

## DPB200 Duct Probe

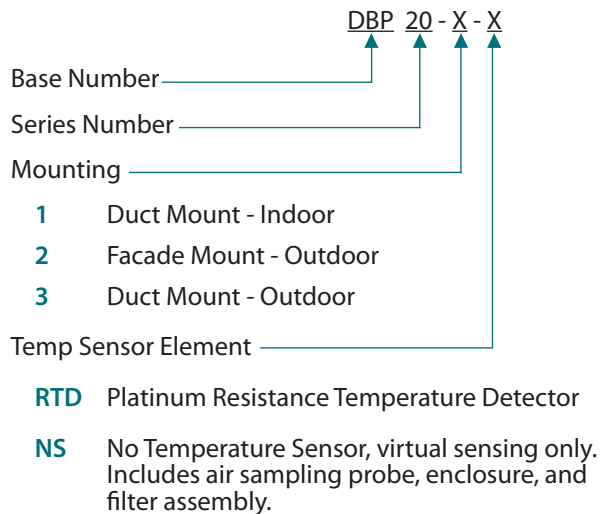
The Duct Probe (DPB) interfaces to the ADR500 Router for discrete sensing of temperature, and for drawing air samples back to the SST Series Sensor Suite through the patented MicroDuct® communications path. Depending on the configuration of the Sensor Suite, many additional environmental parameters can be monitored “virtually” such as carbon dioxide (CO2), carbon monoxide (CO), dewpoint temperature, relative humidity (RH); small particles, and total volatile organic compounds (TVOCs). The probes can be mounted directly on a duct, or in outdoor environments.

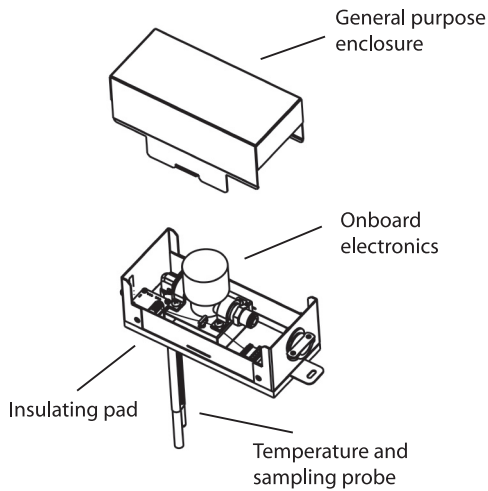


### FEATURES

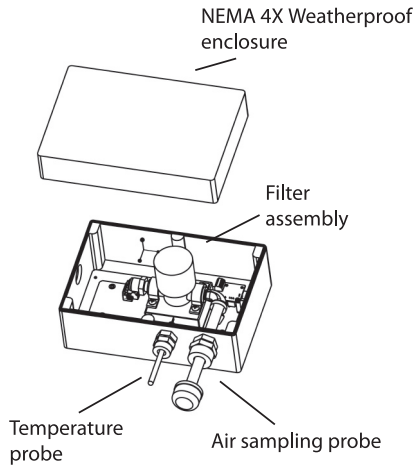
- Duct or facade mounted assembly for sensing both discrete and virtual conditions
- Designed to operate with the ADR500 Router
- Provides MicroDuct® termination point, enabling virtual sensing

### Ordering Guide

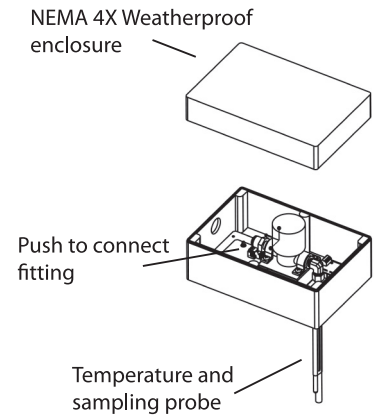




**DPB 201**  
Duct mount (indoor)



**DPB 202**  
Facade mount (outdoor)



**DPB 203**  
Duct mount (outdoor)

## Specifications

### Sensors

#### Temperature

Platinum RTD: range -30°–130°F (-34°–54°C)

Accuracy:  $\pm .30^\circ\text{F}$  ( $\pm .17^\circ\text{C}$ )

Virtual: Refer to the Sensor Suite Sensor data sheets

#### Electrical

Power:  $\pm 12$  Vdc from ADR500 Air Data Router

Power Consumption: 0.25 VA

#### Connections

Wiring: 4-position screw down connector

MicroDuct®: Push-to-connect fitting

### Enclosure

**DPB201** - Duct mount (indoor)

General Purpose Galvanized

**DPB202** - Facade mount (outdoor)

NEMA 4X Weatherproof, ABS Plastic

**DPB203** - Duct mount (outdoor)

NEMA 4X Weatherproof, ABS Plastic

### Filter

Replaceable coarse screen

304 Stainless Steel

### Regulatory Compliance

**FC** Part 15 Class A

**CE**